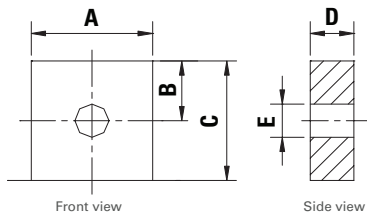


Note: Terminal dimensions are in millimeters.

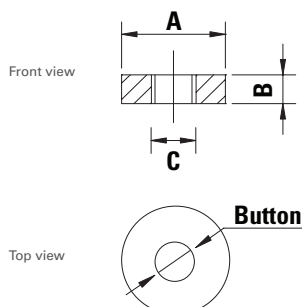
## Nut & Bolt Terminals

Terminal Type (ERP)	A	B	C	D	E	F	Torque NM	Torque Ft-lbs
F3 (NA)	12	5.0	12	2.0	-	5.5	5.0	4.0
F4 (NB)	14	5.0	14	2.0	6.0	-	5.0	4.0
F5 (NC)	20	7.0	18	3.0	8.0	-	7.0	5.0
F6 (ND)	16.5	8.0	17	8.0	6.0	-	5.0	4.0
F7 (NE)	17	7.0	16	6.0	8.0	-	7.0	5.0
F9 (NF)	25	12.5	25	9.0	7.0	-	11	8.0
F16 (NG)	22	10	22	4.0	8.5	8.5	8.0	8.0
F17 (NH)	24	11.5	24	8.0	10	-	11	8.0
F19 (NI)	25.4	8.5	25.4	3.0	8.0	13	7.0	5.0



## Insert Terminals

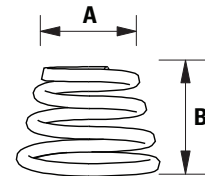
Terminal Type (ERP)	A	B	C	Torque NM	Torque Ft-lbs
F10 (BA)	20	5.0	10	11	8.0
F10 optional (BB)	14	4.0	8	7.0	5.0
F11 (BC)	14	4.0	6	7.0	5.0
F12 (BD)	16	4.0	8	11	8.0
F13 (BE)	12	4.0	5	5.0	4.0
F15 (BF)	19	4.0	8	11	8.0
F18 (BG)	-	3.0	6	7.0	5.0
F21 (BI)	16	4.0	6	7.0	5.0
F27 (BJ)	24	4.0	8	11	8.0
F28 (BK)	24	6.0	10	11	8.0



## Spring Terminal (SP)

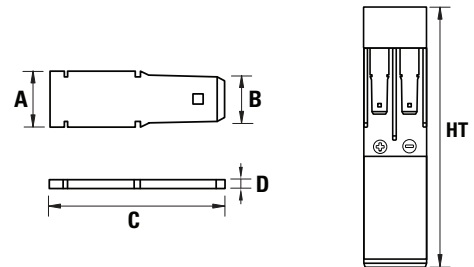
Terminal Type	A	B
SP*	9.0	18

\* Spring Terminal on (+) and (-)



## Pressure Contact (PC)

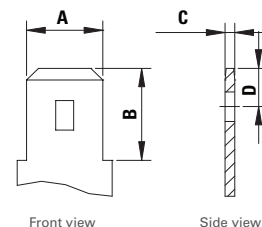
Terminal Type	A	B	C	D
PC	6.0	4.8	21	0.6



## Faston Tabs

Terminal Type	A	B	C	D
F1	4.8	6.35	0.8	3.4
F2	6.35	7.8	0.8	4.0
FC*	F2(+) with F1(-)			

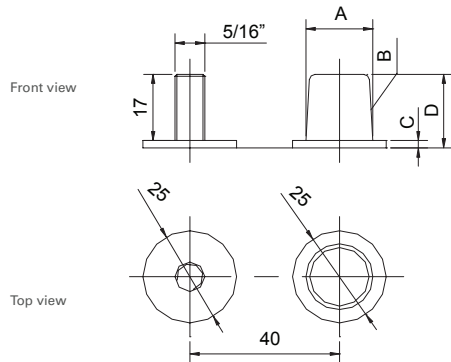
\* Faston Combination



Note: Terminal dimensions are in millimeters.

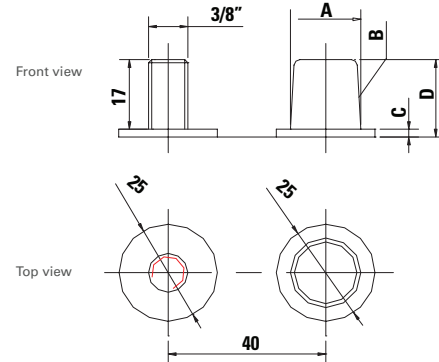
## AM

Terminal Type	A	B	C	D	Torque NM	Torque Ft-lbs
Positive	19.5	1:9	2.0	20	11	8.0
Negative	17.9	1:9	2.0	20	11	8.0

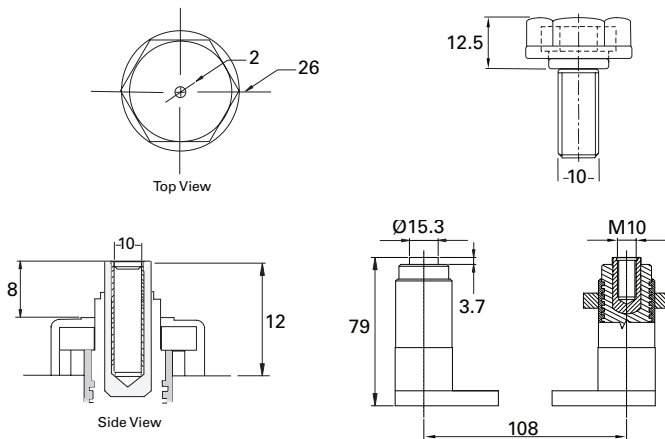


## AT

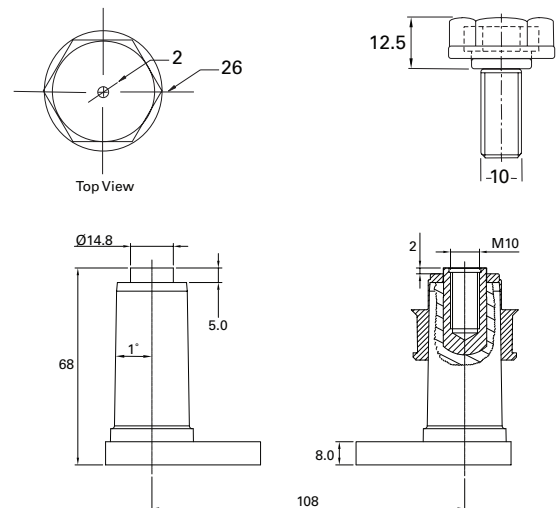
Terminal Type	A	B	C	D	Torque NM	Torque Ft-lbs
Positive	19.5	1:9	2.0	20	11	8.0
Negative	17.9	1:9	2.0	20	11	8.0



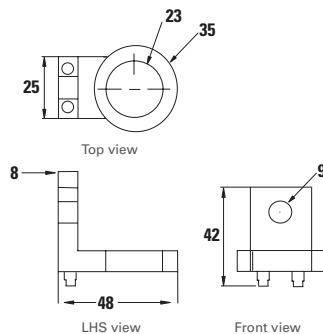
## M10 Threaded Insert (Pz)



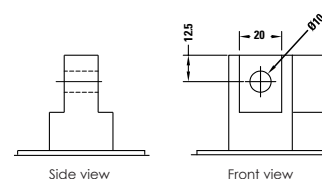
## Traction (PM)



## Lug (LU)



## UT

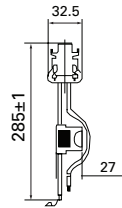


Note: Terminal dimensions are in millimeters.

## Wire Leads

ERP	Terminal Type
WT	TH
WS	TS
W1	T5
W2	T9
W3	T11
W4	T16
W5	T21

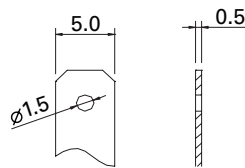
Terminal TH(T20)



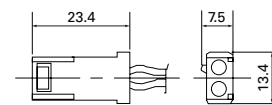
Terminal TS(T8)



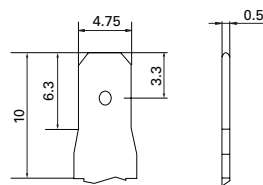
Terminal (T5)



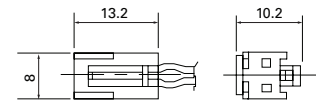
Terminal (T9)



Terminal (T11)



Terminal (T13)



## SAE (AP)

Terminal Type	A	B	C	D
Positive	19.5	1:9	2.0	20
Negative	17.9	1:9	2.0	20

