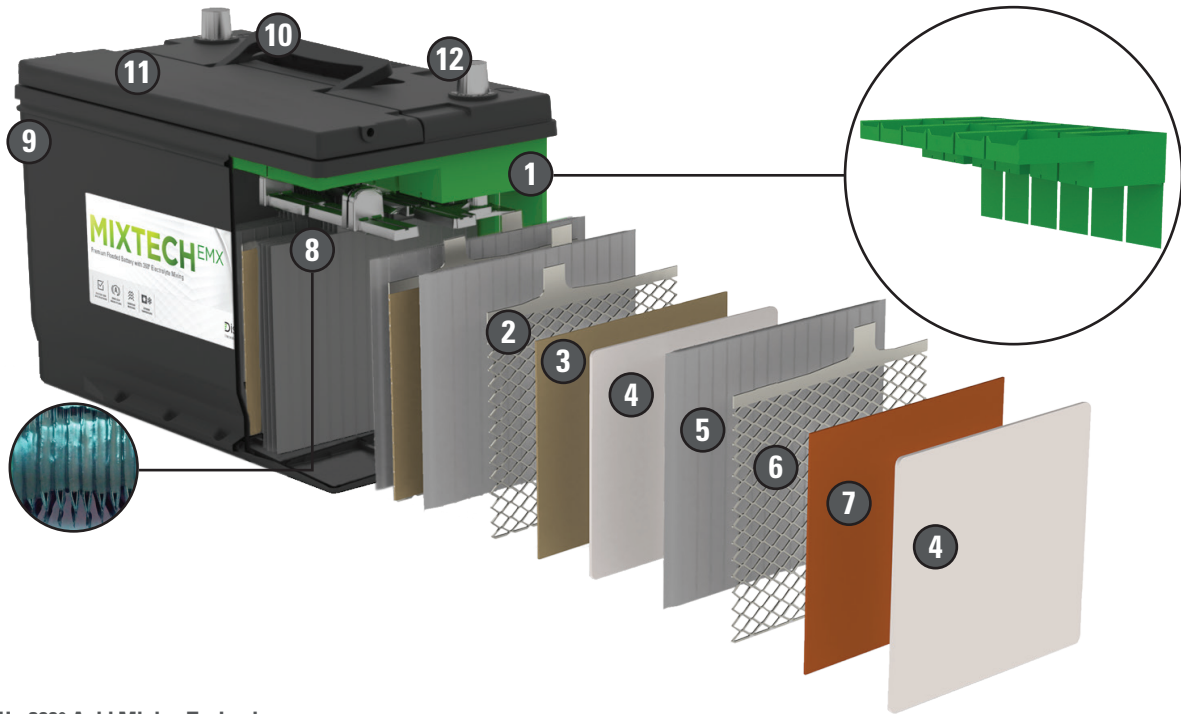


Discover[®] MIXTECH^{EMX}

THE MOST SIGNIFICANT IMPROVEMENT IN A BATTERY IN 50 YEARS.



MIXTECH - 360° Acid Mixing Technology

- Eliminates acid stratification
- Minimizes sulphation preventing premature capacity loss
- Ensures uniform material utilization guaranteeing longer high performance life
- Maintains Dynamic Charge Acceptance essential for highly equipped vehicles with intense driving schedules
- Delivers longer battery life in extreme temperatures

1

2 Expanded Negative Grids increase tensile strength of active material bonds

2

3

Increased Negative Active Material density for improved life

4

Fiber-lock Scrim reduces active material erosion on positive and negative plate

5

Envelope (-) Separators reduce internal resistance and short circuits

6

High purity Calcium Alloy Expanded Positive Grids increase tensile strength of active material bonds, resist corrosion, and minimize water loss

7

Increased Positive Active Material density and additives increase active material to grid bonds, reduce internal resistance, promote high cranking power and increase performance and life

8

Element Bonding provides vibration resistance and helps to resist positive plate growth

9

Reinforced Polypropylene Case utilizes completely sealed cover for true maintenance free performance

10

Integrated carry handles

11

Central Degassing manifold with integrated flame arrestors collect and discharge gas away from terminals improving safety and reducing terminal corrosion. Gasses travel through a spider-web like maze within the manifold trapping the water & electrolyte vapors re-combining them back into the battery preventing premature dry out.

12

Cold forged SAE terminals