

# Discover<sup>®</sup> MIXTECH

THE MOST SIGNIFICANT IMPROVEMENT IN A BATTERY IN 50 YEARS.

BEAT THE  
HEAT

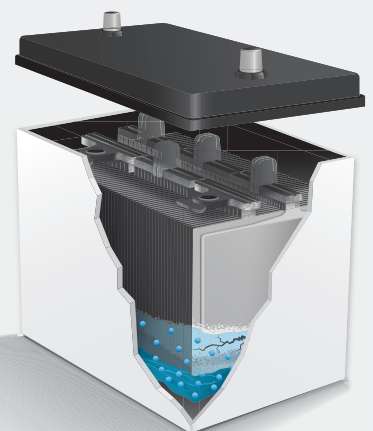
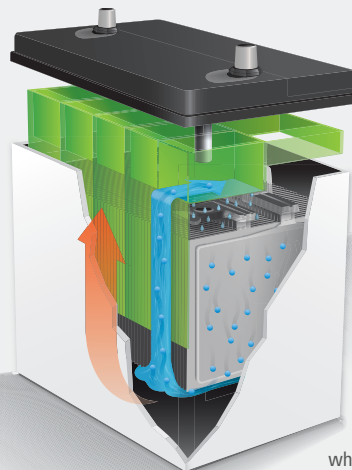
**MIXTECH PREVENTS EXTREME TEMPERATURES FROM KILLING YOUR BATTERIES AND CAN EXTEND THEIR LIFE BY UP TO 4x.**

Extreme temperatures significantly affect your battery's performance and life. MIXTECH decreases high temperature acid concentrations and dramatically improves life in extreme temperatures.

**MIXTECH: BATTERIES REMIXED**

#### MIXTECH BATTERY

The motion of your vehicle causes the electrolyte to circulate and continuously mix preventing temperature fluctuation and increasing life by up to 4x.



#### TRADITIONAL BATTERY

The motion of your vehicle causes the heavier acid in the electrolyte to settle at the bottom which leads to extreme temperature fluctuation and significantly affects its performance and life cycle.

# FACT BATTERIES IN COMMERCIAL VEHICLES CAN REACH TEMPERATURES OF OVER 140°F / 60°C CAUSING EARLY BATTERY FAILURE.







 **THAT'S BAD. WE FIXED THAT.**

Commercial vehicles are not going to stop traveling through extreme environments. They won't decrease their demanding electrical loads or intense driving schedules. They can't stop working over hot summer days. They can't prevent from running and idling over hot asphalt or concrete for hours at a time and they certainly can't change course to travel through more moderate climates.

Even if all that were possible, high internal battery box temperatures are occurring in cooler weather too as the desire for improved fuel economy and reduced emissions has led to aerodynamic enhancements that redirect airflow over and around the vehicle instead of thru the engine compartment along the frame rails and past

the battery boxes. These rising operating temperatures significantly affect your battery's performance and life.

For every 10° increase in temperature above 75°F / 25°C the chemical reaction inside your battery will approximately double cutting battery life in half\*. Under extreme climatic conditions such as in the southern United States, Australia and the Mideast, batteries regularly reach a service life of just 6 to 10 months. MIXTECH batteries utilize Patented 360° acid circulation to virtually eliminate the high temperature acid concentrations that accelerate internal plate corrosion, battery dry out, premature capacity loss and battery failure. This achieves up to 4x the standard life of conventional batteries without 360° acid mixing.

 CARBON BOOST	 EXCEEDS OEM SPECIFICATIONS	 XVR VIBRATION RESISTANT	 ENHANCED ALLOYS
 GLASS MAT	 START-STOP MICRO-CYCLING	 EXTREME TEMPERATURES	 HOTEL LOADS

## TAKE THE MIXTECH CHALLENGE

**MIXTECH PROVIDES THE LOWEST TOTAL COST OF OWNERSHIP VERSUS ALL OTHER CONVENTIONAL BATTERIES IN THE INDUSTRY. PERIOD.**

Let's do some calculations for your fleet right here!



	STARTING BATTERY	DISCOVER MIXTECH
Battery Cost		
Labor to Replace		
Months of Service		
Downtime Cost		
<b>TOTAL COST / MONTH</b>		

\*Arrhenius' Law



automechanika innovationaward

