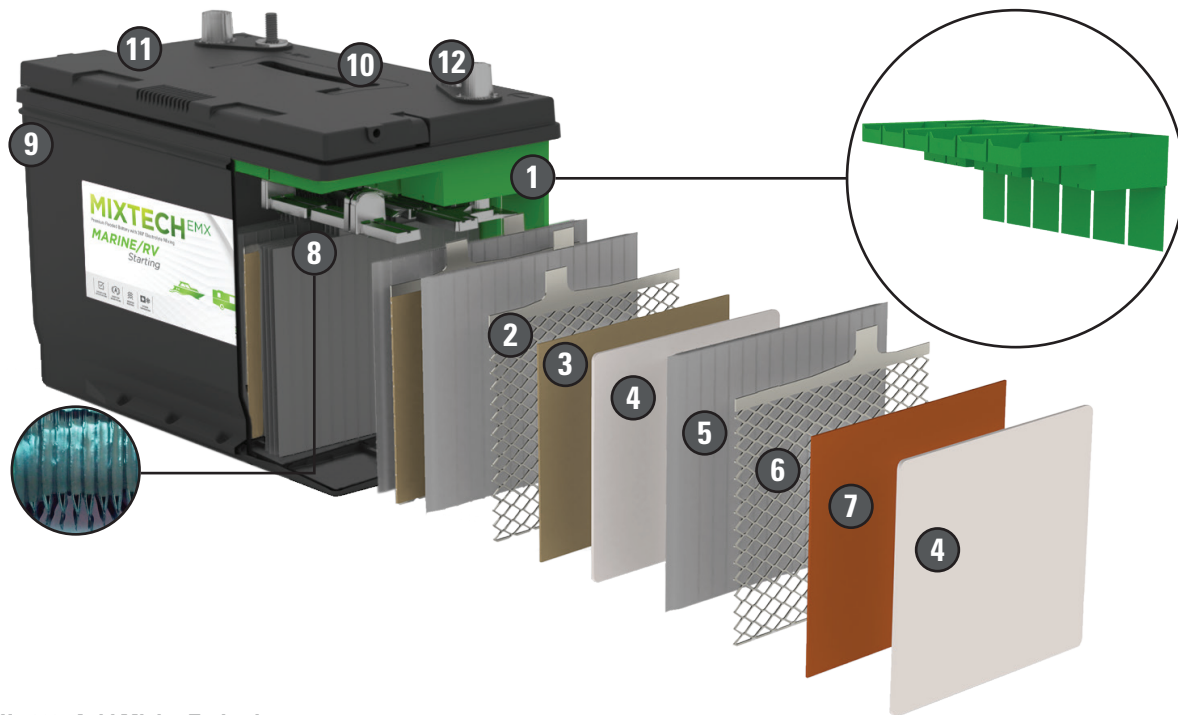


# Discover®

# MIXTECH<sup>EMX</sup>

## MARINE/RV Starting

THE MOST SIGNIFICANT IMPROVEMENT IN A BATTERY IN 50 YEARS.



### MIXTECH - 360° Acid Mixing Technology

- Eliminates acid stratification
- Minimizes sulphation preventing premature capacity loss
- Ensures uniform material utilization guaranteeing longer high performance life
- Maintains Dynamic Charge Acceptance essential for highly equipped vehicles with intense driving schedules
- Delivers longer battery life in extreme temperatures

- 1** Positive active material
- 2** Expanded Negative Grids increase tensile strength of active material bonds
- 3** Increased Negative Active Material density for improved life
- 4** Fiber-lock Scrim, embedded into the active material on each side of the + and - plates, increases active material bonds and reduces material erosion.
- 5** Envelope (-) Separators reduce internal resistance and short circuits
- 6** High purity Calcium Alloy Expanded Positive Grids increase tensile strength of active material bonds, resist corrosion, and minimize water loss

- 7** Increased Positive Active Material density and additives increase active material to grid bonds, reduce internal resistance, promote high cranking power and increase performance and life
- 8** Element Bonding provides vibration resistance and helps to resist positive plate growth
- 9** Reinforced Polypropylene Case utilizes completely sealed cover for true maintenance free performance
- 10** Built-in suitcase style handles
- 11** Central Degassing manifold with integrated flame arrestors collect and discharge gas away from terminals improving safety and reducing terminal corrosion. Gases travel through a spider-web like maze within the manifold trapping the water & electrolyte vapors re-combining them back into the battery preventing premature dry out.
- 12** Dual autopost + stainless steel stud terminal