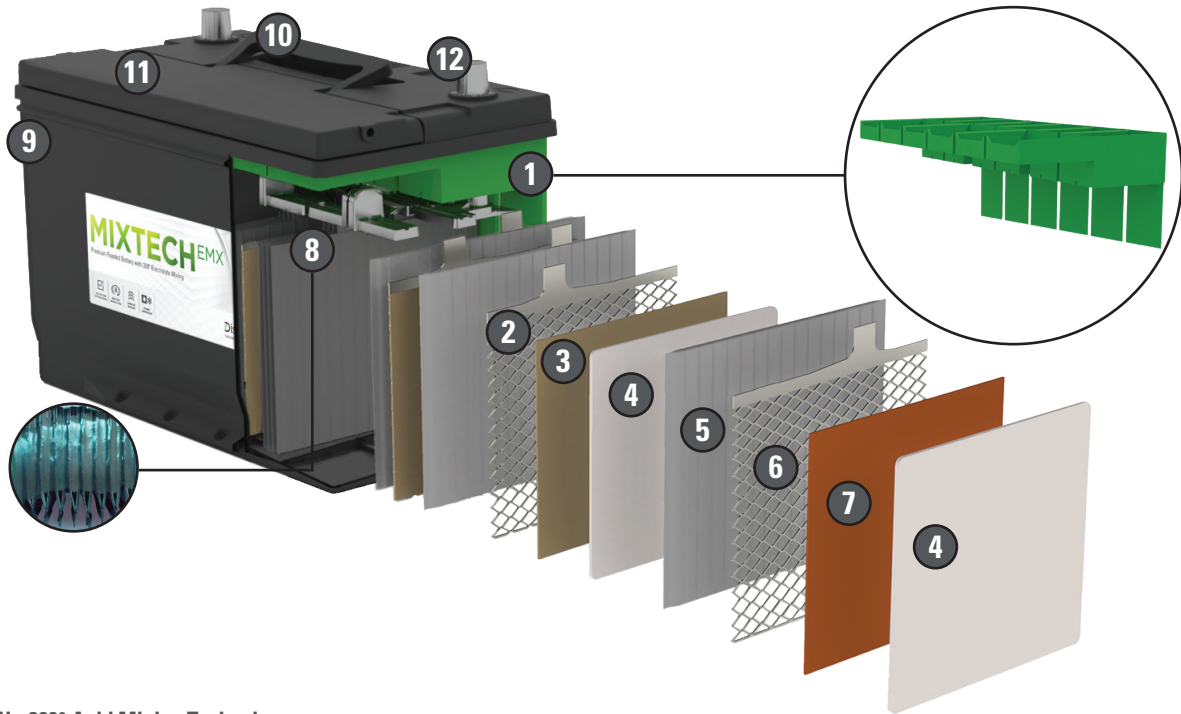


# Discover<sup>®</sup> MIXTECH<sup>EMX</sup>

THE MOST SIGNIFICANT IMPROVEMENT IN A BATTERY IN 50 YEARS.



## MIXTECH - 360° Acid Mixing Technology

- Eliminates acid stratification
- Minimizes sulphation preventing premature capacity loss
- Ensures uniform material utilization guaranteeing longer high performance life
- Maintains Dynamic Charge Acceptance essential for highly equipped vehicles with intense driving schedules
- Delivers longer battery life in extreme temperatures

1

**2 Expanded Negative Grids** increase tensile strength of active material bonds

2

3

**Increased Negative Active Material** density for improved life

4

**Fiber-lock Scrim**, embedded into the active material on each side of the + and - plates, increases active material bonds and reduces material erosion.

5

**Envelope (-) Separators** reduce internal resistance and short circuits

6

**High purity Calcium Alloy Expanded Positive Grids** increase tensile strength of active material bonds, resist corrosion, and minimize water loss

7

**Increased Positive Active Material** density and additives increase active material to grid bonds, reduce internal resistance, promote high cranking power and increase performance and life

8

**Element Bonding** provides vibration resistance and helps to resist positive plate growth

9

**Reinforced Polypropylene Case** utilizes completely sealed cover for true maintenance free performance

10

Integrated carry handles

11

**Central Degassing** manifold with integrated flame arrestors collect and discharge gas away from terminals improving safety and reducing terminal corrosion. Gases travel through a spider-web like maze within the manifold trapping the water & electrolyte vapors re-combining them back into the battery preventing premature dry out.

12

Cold forged SAE terminals