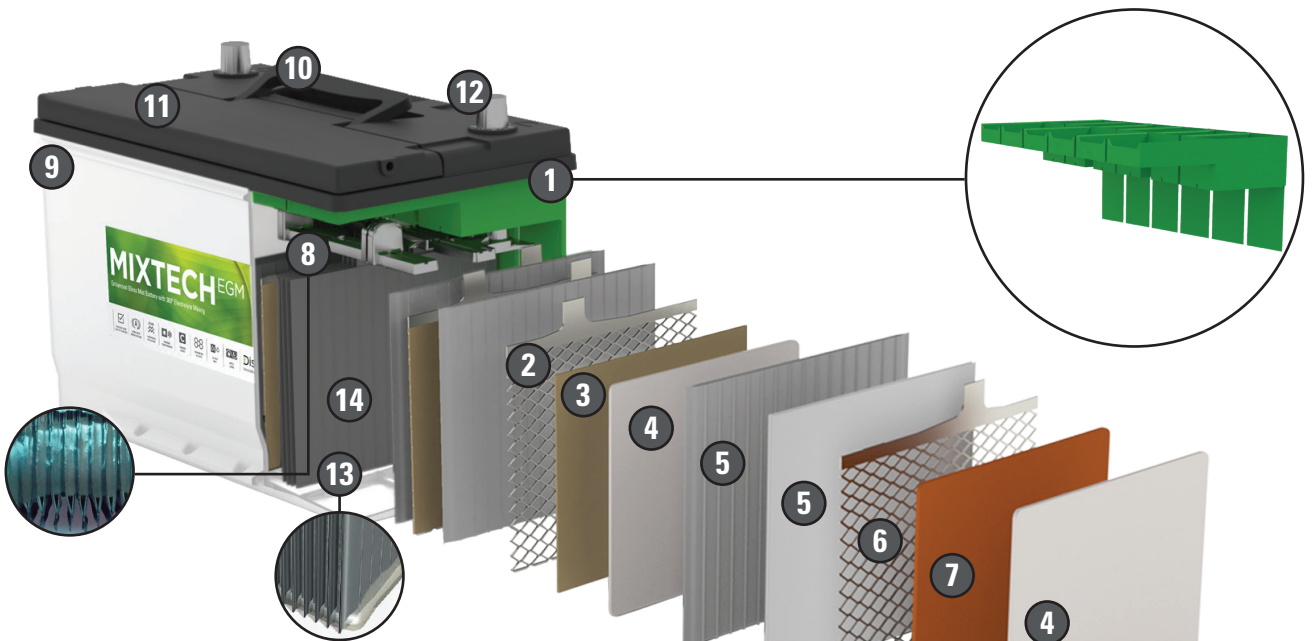


Discover[®] MIXTECH^{EGM}

THE MOST SIGNIFICANT IMPROVEMENT IN A BATTERY IN 50 YEARS.



MIXTECH - 360° Acid Mixing Technology

- Eliminates acid stratification
- Minimizes sulphation preventing premature capacity loss
- Ensures uniform material utilization guaranteeing longer high performance life
- Maintains Dynamic Charge Acceptance essential for highly equipped vehicles with intense driving schedules
- Delivers longer battery life in extreme temperatures

1

2

Thick Enhanced Negative Grids with increased active material density and Carbon additives improve plate strength, cycle life and Dynamic Charge Acceptance delivering a significant reduction in charge time.

3

4

Fiber-lock Scrim, embedded into the active material on each side of the + and - plates, increases active material bonds and reduces material erosion.

Envelope (+) Non-woven AGM Separators

- Reduces internal resistance and promotes quicker recharging ability
- Maximises cell compression requirements and reduces plate shedding
- Provides 3x the cyclic stability and 10x the vibration resistance of conventional batteries

5

6

Thick Enhanced Calcium / High Tin Positive Grids

- Provide improved corrosion resistance and life in deep cycle/starting applications
- Increase strength and Super Heavy Duty reliability



NaSO₄ Sodium Sulphate additives improve the cycle life, charge acceptance and maintenance-free operations

7

Increased active material, additives and **high red lead** content increase initial capacity and active material bonds, promote high sustained voltages under heavy cranking loads and improve deep cycle performance and life

8

Element Bonding provides vibration resistance and helps to resist positive plate growth

9

Reinforced Polypropylene Case utilizes completely sealed cover for true maintenance free performance

10

Integrated carry handles

11

Central Degassing manifold with integrated flame arrestors collect and discharge gas away from terminals improving safety and reducing terminal corrosion. Gases travel through a spider-web like maze within the manifold trapping the water and electrolyte vapors re-combining them back into the battery preventing premature dry out.

12

Cold forged SAE terminals

13

Available **Anchor Bonding** provides plate stability and shock related vibration resistance

14

Highly Compressed Cell Groups increase cranking performance & vibration resistance