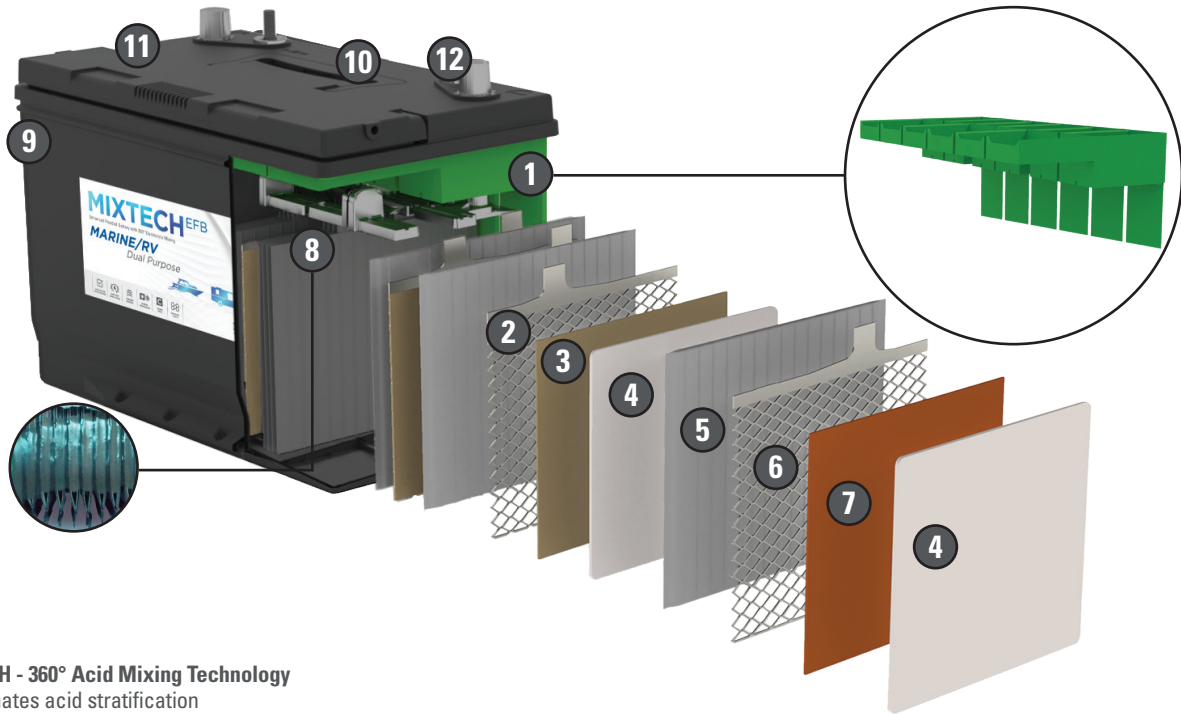


Discover®

MIXTECH^{EFB}

MARINE/RV *Dual Purpose*

THE MOST SIGNIFICANT IMPROVEMENT IN A BATTERY IN 50 YEARS.



MIXTECH - 360° Acid Mixing Technology

- Eliminates acid stratification
- Minimizes sulphation preventing premature capacity loss
- Ensures uniform material utilization guaranteeing longer high performance life
- Maintains Dynamic Charge Acceptance essential for highly equipped vehicles with intense driving schedules
- Delivers longer battery life in extreme temperatures

1

2

Thick Enhanced Negative Grids with increased active material density and Carbon additives improve plate strength, cycle life and Dynamic Charge Acceptance delivering a significant reduction in charge time.

3

4

Fiber-lock Scrim, embedded into the active material on each side of the + and - plates, increases active material bonds and reduces material erosion.

Envelope (+) Separators

- Reduce internal resistance and short circuits
- Provides active mass stability and quicker recharging over conventional batteries

5

6

Enhanced Calcium Tin Alloys in the Positive Grid

- Provide improved corrosion resistance and life in dual purpose use
- Increase strength and Heavy Duty reliability

7

Increased active material density, additives, and **red lead** that increase initial capacity and active material to grid bonds, reduce internal resistance, promote high cranking power and improve high cycle performance and life

8

Element Bonding provides vibration resistance and helps to resist positive plate growth

9

Reinforced Polypropylene Case utilizes completely sealed cover for true maintenance free performance

10

Built-in suitcase style handles

11

Central Degassing manifold with integrated flame arrestors collect and discharge gas away from terminals improving safety and reducing terminal corrosion. Gases travel through a spider-web like maze within the manifold trapping the water & electrolyte vapors re-combining them back into the battery preventing premature dry out.

12

Dual autopost + stainless steel stud terminal



Na₂SO₄ Sodium Sulphate additives improve the cycle life, charge acceptance and maintenance-free operations